

Rosemount™ 2051 Pressure Transmitter and Rosemount 2051CF DP Flow Meter

with *WirelessHART*® Protocol



Safety messages

NOTICE

This guide provides basic guidelines for Rosemount 2051 Wireless Transmitters. It does not provide instructions for configuration, diagnostics, maintenance, service, troubleshooting or intrinsically safe (I.S.) installations. Refer to the [Rosemount 2051 Wireless Pressure Transmitter Reference Manual](#) for more instruction. This manual is also available electronically on [Emerson.com](#).

Shipping considerations for wireless products:

Emerson shipped the transmitter to you without the power module installed. Remove the power module prior to shipping the transmitter.

Each power module contains one D size primary lithium-thionyl chloride battery. Primary lithium batteries are regulated in transportation by the US Department of Transportation, and are also covered by the International Air Transport Association (IATA), International Civil Aviation Organization (ICAO), and European Ground Transportation of Dangerous Goods (ADR). It is the shipper's responsibility to ensure compliance with these or any other local requirements. Consult current regulations and requirements before shipping.

⚠ WARNING

Explosions could result in death or serious injury.

Installation of this transmitter in an explosive environment must be in accordance with the appropriate local, national, and international standards, codes, and practices. Review the approvals section of the Reference Manual for any restrictions associated with a safe installation. Before connecting a handheld communicator in an explosive atmosphere, be sure that the instruments in the loop are installed in accordance with intrinsically safe or non-incendive field wiring practices.

Process leaks could result in death or serious injury.

To avoid process leaks, only use the O-ring designed to seal with the corresponding flange adapter.

Electrical shock could cause death or serious injury.

Avoid contact with the leads and terminals. High voltage that may be present on leads can cause electrical shock.

Physical access

Unauthorized personnel may potentially cause significant damage to and/or misconfiguration of end users' equipment. This could be intentional or unintentional and needs to be protected against.

Physical security is an important part of any security program and fundamental in protecting your system. Restrict physical access by unauthorized personnel to protect end users' assets. This is true for all systems used within the facility.

Contents

Wireless considerations..... 5

Mounting the transmitter..... 6

Rotate housing..... 13

Connect the power module..... 14

Trimming the transmitter..... 15

Verifying transmitter configuration..... 17

Troubleshooting.....20

Rosemount 2051 product certifications.....21

1 Wireless considerations

1.1 Power up sequence

Do not install the power module on any wireless device until the Emerson Wireless Gateway (Gateway) is installed and functioning properly.

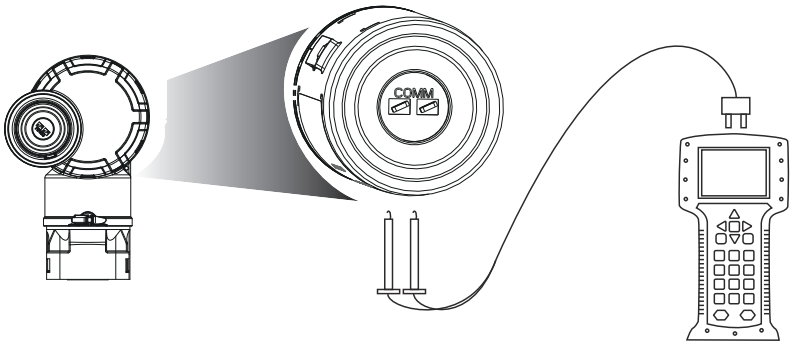
This transmitter uses the green power module (order model number 701PGNKF). Power up wireless devices in order of proximity from the Gateway, beginning with the closest. This will result in a simpler and faster network installation. Enable active advertising on the Gateway to ensure new devices join the network faster. For more information, see the [Emerson Wireless 1420 Gateway Reference Manual](#).

1.2 Connecting the transmitter with a Field Communicator

In order for the Field Communicator to interface with the Rosemount 2051 Wireless Transmitter, you must connect the power module.

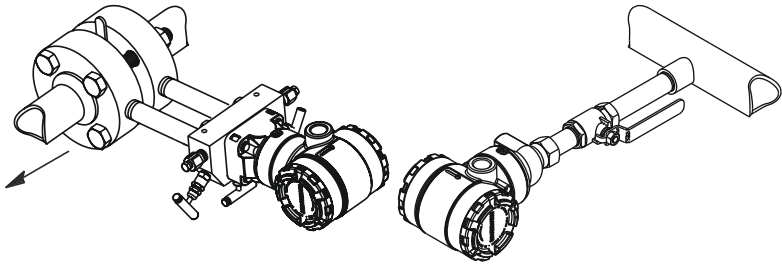
This transmitter uses the green power module (order model number 701PGNKF). [Figure 1-1](#) shows how to connect the Field Communicator to the transmitter. Open the power module compartment to hook up the leads.

Figure 1-1: Field Communicator connections



2 Mounting the transmitter

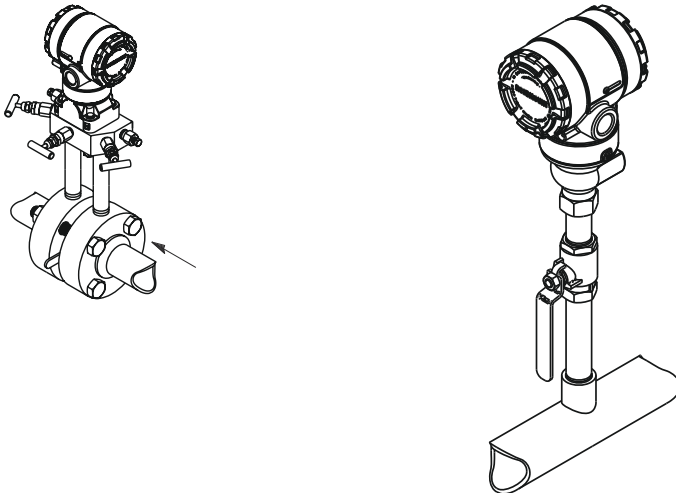
2.1 Mount the transmitter in liquid applications



Procedure

1. Place taps to the side of the line.
2. Mount the transmitter beside or below the taps.
Mount the transmitter so the drain/vent valves are oriented upward.

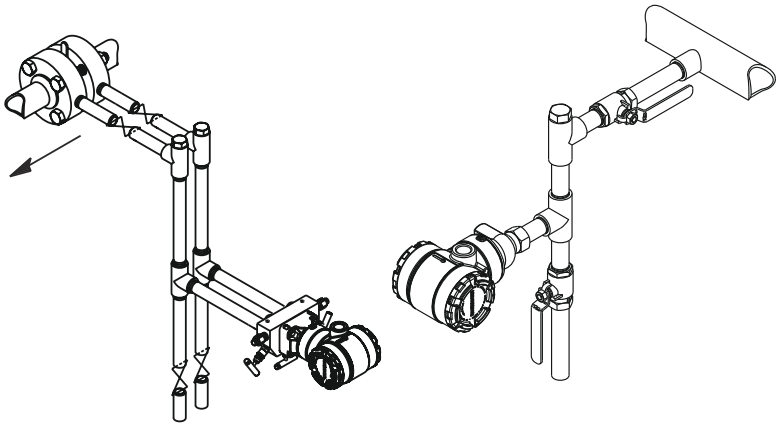
2.2 Mount the transmitter in gas applications



Procedure

1. Place taps on the top or side of the line.
2. Mount the transmitter beside or above the taps.

2.3 Mount the transmitter in steam applications

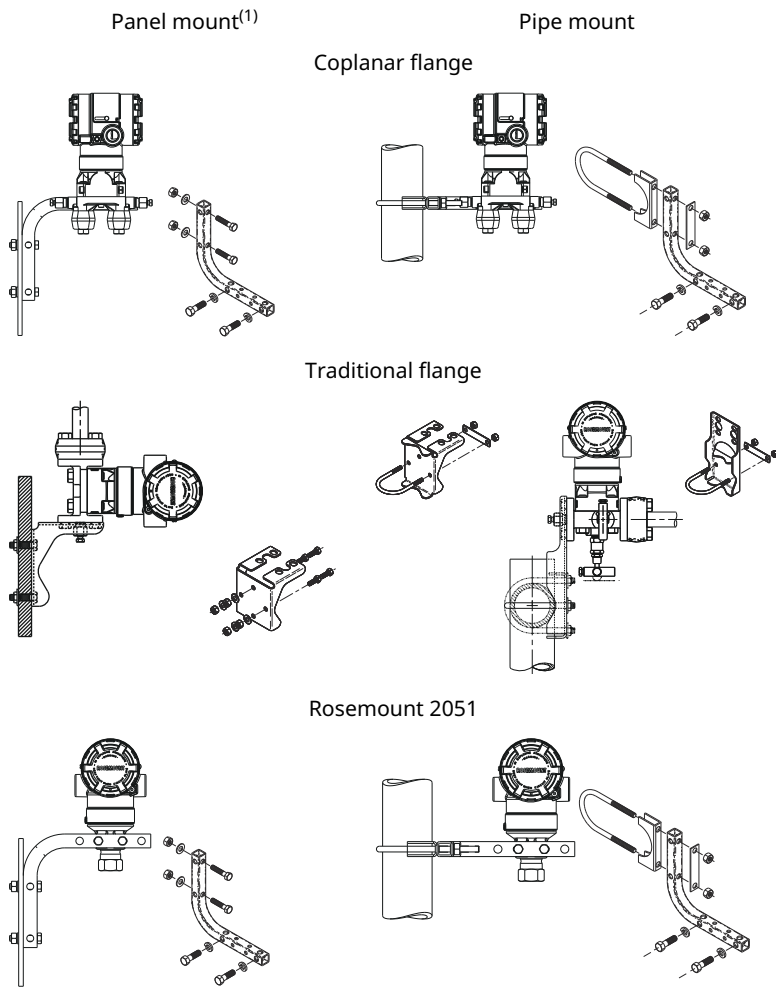


Procedure

1. Place taps to the side of the line.
2. Mount the transmitter beside or below the taps.
3. Fill impulse lines with water.

2.4 Panel and pipe mounting

Figure 2-1: Panel and pipe mounting



(1) 5/16 × 1½ panel bolts are customer supplied.

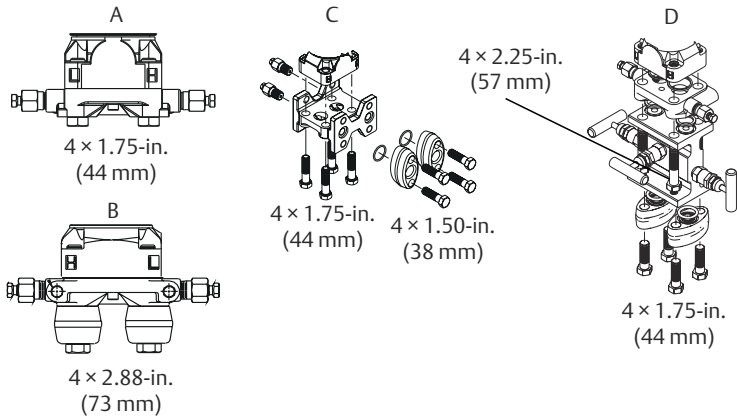
2.5 Install bolts

If the transmitter installation requires assembly of the process flanges, manifolds, or flange adapters, follow the assembly

guidelines to ensure a tight seal for optimal performance characteristics of the transmitter.

Use only bolts supplied with the transmitter or sold by Emerson as spare parts. [Figure 2-2](#) illustrates common transmitter assemblies with the bolt length required for proper transmitter assembly.

Figure 2-2: Common transmitter assemblies



- A. *Transmitter with coplanar flange*
- B. *Transmitter with coplanar flange and optional flange adapters*
- C. *Transmitter with traditional flange and optional flange adapters*
- D. *Transmitter with coplanar flange and optional manifold and flange adapters*

Bolts are typically carbon steel (CS) or stainless steel (SST). Confirm the material by viewing the markings on the head of the bolt and referencing [Table 2-1](#). If bolt material is not shown in [Table 2-1](#), contact a local Emerson representative for more information.

Carbon steel bolts do not require lubrication, and the stainless steel bolts are coated with a lubricant to ease installation. However, do not apply any additional lubricant when installing either type of bolt.


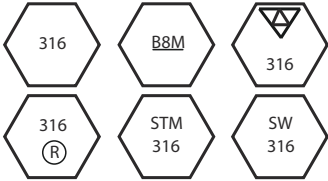
Procedure

1. Tighten the bolts by hand.
2. Torque the bolts to the initial torque value using a crossing pattern.
See [Table 2-1](#) for initial torque value.
3. Torque the bolts to the final torque value using the same crossing pattern.

See [Table 2-1](#) for final torque value.

4. Verify the flange bolts are protruding through the sensor module bolt holes before applying pressure.

Table 2-1: Torque values for the flange and flange adapter bolts

Bolt material	Head markings	Initial torque	Final torque
CS		300 in.-lb.	650 in.-lb.
SST		150 in.-lb.	300 in.-lb.

2.6 O-rings

The two styles of Rosemount flange adapters (Rosemount 3051/2051/2024/3095) each require a unique O-ring (see [Figure 2-3](#)). Use only the O-ring designed for the corresponding flange adapter.

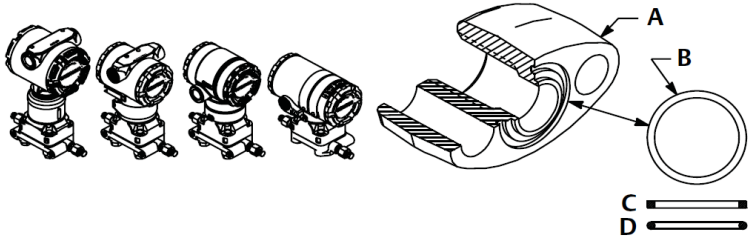
⚠ WARNING

Failure to install proper flange adapter O-rings may cause process leaks, which can result in death or serious injury.

The two flange adapters are distinguished by unique O-ring grooves. Only use the O-ring that is designed for its specific flange adapter, as shown in [Figure 2-3](#). When compressed, PTFE O-rings tend to cold flow, which aids in their sealing capabilities.

Figure 2-3: O-rings

ROSEMOUNT 3051S/3051/2051/3001/3095/2024



- A. Flange adapter
- B. O-ring
- C. PTFE based
- D. Elastomer

NOTICE

Replace PTFE O-rings if you remove the flange adapter.

2.7 Environmental seal for housing

Thread sealing (PTFE) tape or paste on male threads of conduit is required to provide a water/dust tight conduit seal and meets requirements of NEMA® Type 4X, IP66, and IP68. Consult factory if other Ingress Protection ratings are required.

For M20 threads, install conduit plugs to full thread engagement or until mechanical resistance is met.

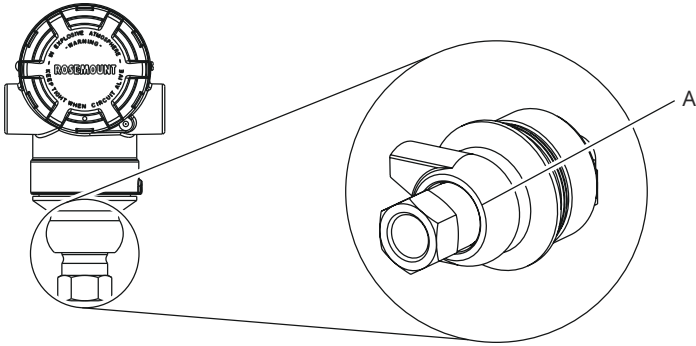
2.8 In-line gauge transmitter orientation

The low side pressure port (atmospheric reference) on the in-line gauge transmitter is located in the neck of the transmitter, behind the housing. The vent path is 360° around the transmitter between the housing and sensor.

(See [Figure 2-4](#).)

Keep the vent path free of any obstruction, including but not limited to paint, dust, and lubrication by mounting the transmitter so fluids can drain away.

Figure 2-4: In-line gauge low side pressure port



A. Pressure port location

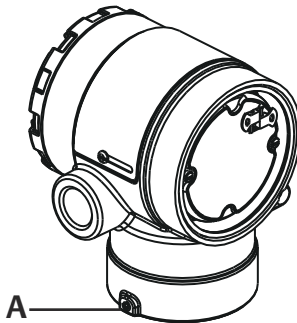
3 Rotate housing

To improve field access to wiring or to better view the optional LCD display:

Procedure

1. Loosen the housing rotation set screw using a 5/64 -in. hex wrench.

Figure 3-1: Housing rotation



A. Housing rotation set screw (5/64-in.)

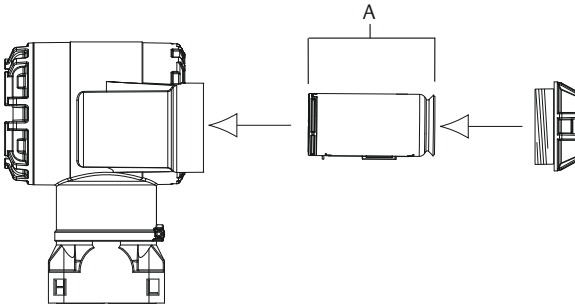
2. Rotate the housing clockwise to the desired location.
3. If the desired location cannot be achieved due to thread limitation, rotate the housing counterclockwise to the desired location (up to 360° from thread limit).
4. Retighten the housing rotation set screw to no more than 7 in.-lbs. when desired location is reached.

4 Connect the power module

Procedure

1. Remove the power module cover.
2. Connect the green power module (see [Figure 4-1](#)).

Figure 4-1: Power module



A. Power module

5 Trimming the transmitter

The factory calibrates the transmitters. Once installed, Emerson recommends performing a zero trim on gauge and differential pressure transmitters to eliminate error due to mounting position or static pressure effects.

You can perform a zero trim either a Field Communicator or configuration buttons.

For instructions using AMS Wireless Configurator, see the [Rosemount 2051 Wireless Pressure Transmitters Reference Manual](#).

Note

When performing a zero trim, ensure the equalization valve is open and all wet legs are filled to the correct level.

NOTICE

Emerson does not recommend zeroing an absolute transmitter, Rosemount 2051CA or 2051TA models.

5.1 Trim using Field Communicator

Procedure

1. Equalize or vent the transmitter and connect it to the Field Communicator.
2. At the menu, input the HART® Fast Key sequence.
3. Follow the commands to perform a zero trim.

Example

From the **Home** screen, enter the Fast Key sequence.

Device Dashboard Fast Keys	2, 1, 2
----------------------------	---------

For connecting with a Field Communicator, refer to [Figure 1-1](#).

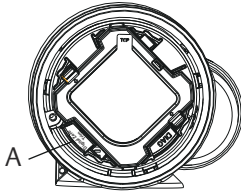
5.2 Trim using digital Zero trim button

Procedure

1. Set the transmitter pressure.
2. Remove the electronics housing cover.
3. Press and hold the **Zero** button for two seconds to perform a digital zero trim.

4. Reinstall transmitter housing cover. Ensure a proper seal by installing the electronics housing cover so the polymer contacts polymer (no O-ring visible).

Figure 5-1: Digital Zero button



A. *Digital **Zero** button*

Note

You can also use AMS Wireless Configurator to perform a zero trim once the device has joined the network.

6 Verifying transmitter configuration





You can verify configuration in four locations:

- At the device via the local display (LCD display)
- By using the Field Communicator
- Via the Emerson Wireless Gateway’s integrated web interface
- Via AMS Wireless Configurator

6.1 Verifying transmitter configuration using LCD display

The LCD display will show the output values at the same rate as the wireless update rate.

Refer to the [Rosemount 2051 Wireless Pressure Transmitters Reference Manual](#) for error codes and other LCD display messages. Press and hold the **Diagnostic** button for at least five seconds to display the **TAG, Device ID, Network ID, Network Join Status, and Device Status** screens.

Searching for network	Joining network	Connected with limited bandwidth	Connected
			

6.2 Verifying transmitter configuration using Field Communicator

For *WirelessHART*® transmitter communication, a Rosemount 2051 Wireless Transmitter device descriptor (DD) is required. For connecting with a Field Communicator, refer to [Figure 1-1](#).

From the **Home** screen, enter the Fast Key sequence.

Device Dashboard Fast Keys	3, 5
----------------------------	------

Table 6-1: Device Revision 1, DD Revision 1 Fast Keys

Function	Fast Keys
Tag	2, 1, 1, 1, 1
Date	2, 1, 1, 1, 5
Descriptor	2, 1, 1, 1, 3
Message	2, 1, 1, 1, 4
Long Tag	2, 1, 1, 1, 2
Network ID	2, 2, 1, 1
Join Device to Network	2, 2, 1, 2
Update Rate	2, 1, 4
Range Values	2, 1, 1, 5
Transfer Function	2, 1, 1, 6
Units	2, 1, 1, 2
Lower Sensor Trim	3, 5, 1, 1, 2
Upper Sensor Trim	3, 5, 1, 1, 1
Digital Zero Trim	3, 5, 1, 1, 3
Rerange by Applied Pressure	2, 2, 2, 2, 1
Custom Display Configuration	2, 1, 5
Scaled Variable	2, 1, 7, 1
Find Device	3, 5, 2
Simulate Digital Signal	3, 6

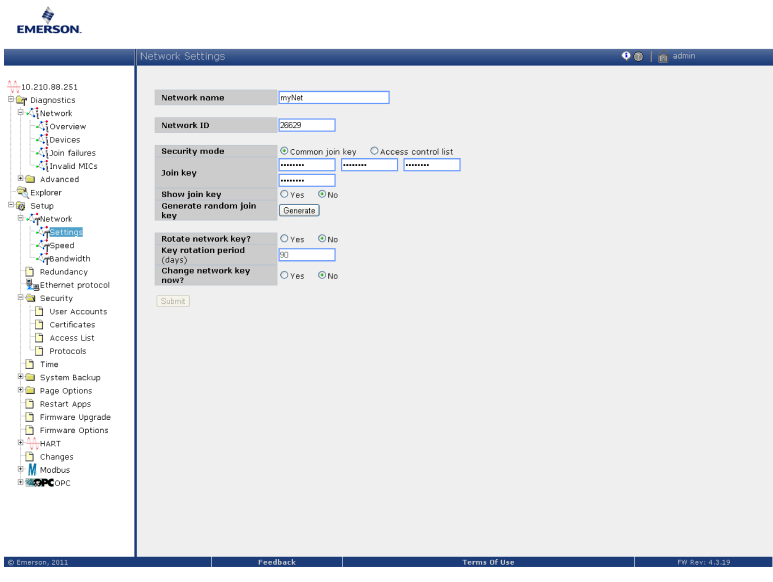
6.3 Verifying transmitter configuration using Emerson Wireless Gateway

In the Gateway's integrated web interface, navigate to **Explorer** → **Status**. This page will show whether the device has joined the network and if it is communicating properly.

Note

It may take several minutes for the device to join the network. See the [Emerson Wireless 1420 Gateway Quick Start Guide](#) for more information.

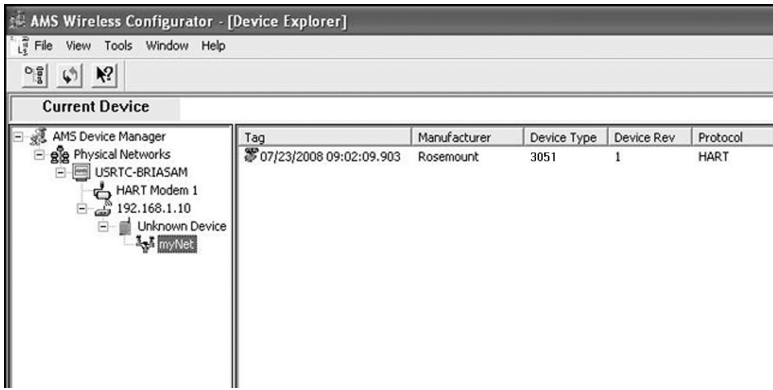
Figure 6-1: Gateway Network Settings



6.4 Verifying transmitter configuration using AMS Wireless Configurator

When the transmitter has joined the network, it will appear in the AMS Wireless Configurator as shown in [Figure 6-2](#).

Figure 6-2: AMS Wireless Configurator Network Setup



7 Troubleshooting

If the transmitter has not joined to the network after power up, verify the correct configuration of the network ID and join key. Verify that active advertising has been enabled on the Gateway. The network ID and join key in the transmitter must match the network ID and join key of the Gateway.

To obtain the network ID and join key from the Gateway, go to **Setup** → **Network** → **Settings** on the web interface (see [Figure 6-1](#)). You can change the network ID and join key in the wireless transmitter by using the following Fast Key sequence. See the [Rosemount 2051 Wireless Pressure Transmitters Reference Manual](#) for further troubleshooting.

From the **Home** screen, enter the Fast Key sequence.

Device Dashboard Fast Keys	3, 5
----------------------------	------

8 Rosemount 2051 product certifications

Rev 1.31

8.1 European directive information

A copy of the EU Declaration of Conformity can be found at the end of the Quick Start Guide. The most recent revision of the EU Declaration of Conformity can be found at [Emerson.com/Rosemount](https://www.emerson.com/Rosemount).

8.2 Ordinary location certification

As standard, the transmitter has been examined and tested to determine that the design meets the basic electrical, mechanical, and fire protection requirements by a Nationally Recognized Test Laboratory (NRTL) as accredited by the Federal Occupational Safety and Health Administration (OSHA).

8.3 Hazardous location certification

NOTICE

Device ambient temperature ratings and electrical parameters may be limited to the levels dictated by the hazardous location certificate parameters.

8.4 North America

E5 USA Explosionproof (XP) and Dust Ignition-proof (DIP)

Certificate	2041384
Standards	FM 3600: 2022, FM 3615: 2022, FM 3616: 2022, ANSI/UL 61010-1-2019 Third Edition, ANSI/UL 12.27.01: 2022 (Fourth Edition), ANSI/UL 50E (First Edition)
Markings	XP CL I, DIV I, GP B, C, & D T5; Seal not required DIP CL II, DIV I, GP E, F, & G; CL III T5; T5: (-50 °C ≤ Ta ≤ +85 °C) Type 4X, IP 68 Optional: single seal

Specific Conditions of Use:

1. The Rosemount 2051 transmitter housing may contain aluminum and is considered a potential risk of ignition by impact or friction. Care must be taken during installation and use to prevent impact and friction.
2. Equipment evaluated for atmospheric pressure range between 80 kPa (0.8 bar) to 110 kPa (1.1 bar).
3. Process temperature limits shall be in accordance with 03031-1053.

15 USA Intrinsic Safety (IS), Nonincendive (NI)

Certificate	2041384
Standards	FM3600: 2022, FM3610: 2021, FM3611: 2021, ANSI/UL61010-1-2019 Third Edition, ANSI/UL60079-0: 2017, ANSI/UL60079-11: 2013, ANSI/UL12.27.01: 2022 (Fourth Edition), ANSI/UL50E (First Edition)
Markings	IS: CL I GP A, B, C, D T4; CL II GP EFG; CL III T4; CL I ZN 0 AEx ia IIC T4 Ga; NI: CL I DIV 2 GP ABCD T4; (-50 °C ≤ Ta ≤ +70 °C) Install per 02051-1008. Type 4X, IP 68 Optional: single seal

Specific Conditions of Use:

1. The Model 2051 transmitter housing may contain aluminum and is considered a potential risk of ignition by impact or friction. Care must be taken during installation and use to prevent impact and friction.
2. The Model 2051 with the transient terminal block (Option code T1) will not pass the 500 VRMS dielectric strength test; this must be considered during installation.
3. Equipment evaluated for atmospheric pressure range between 80 kPa (0.8 bar) to 110 kPa (1.1 bar).
4. Maximum process temperature limits shall be in accordance with 03031-1053.

IE USA FISCO

Certificate	2041384
Standards	FM 3600: 2022, FM 3610: 2021, FM 3611: 2021, ANSI/UL 61010-1-2019 Third Edition, ANSI/UL 60079-0: 2017, ANSI/UL 60079-11: 2013, ANSI/UL 12.27.01: 2022 (Fourth Edition), ANSI/UL 50E (First Edition)
Markings	IS: CL I GP ABCD T4 CL I ZN 0 AEx ia IIC T4 Ga -50 °C ≤ Ta ≤ +60 °C FISCO Type 4X, IP 68 Install per 02051-1008 Optional: single seal

Specific Conditions of Use:

1. The Model 2051 transmitter housing may contain aluminum and is considered a potential risk of ignition by impact or friction. Care must be taken during installation and use to prevent impact and friction.
2. Equipment evaluated for atmospheric pressure range between 80 kPa (0.8 bar) to 110 kPa (1.1 bar).
3. Maximum process temperature limits shall be in accordance with 03031-1053.

E6 Canada Explosionproof, Dust Ignition-proof

Certificate	2041384
Standards	CAN/CSA C22.2 No. 61010-1-12, CAN/CSA C22.2 No. 94.2-07, CSA C22.2 No. 25-17, CAN/CSA C22.2 No. 30:20, CAN/CSA C22.2 No. 60079-0:19, CAN/CSA C22.2 No. 60079-1:16, ANSI/UL 12.27.01: 2022 (Fourth Edition)
Markings:	XP: CL I, DIV I, GP B,C, D T5; Ex db IIC T5 Gb; Seal not required DIP: CL II, DIV I, GP E, F, & G; CL III T5; -50 °C ≤ Ta ≤ +85 °C Single seal - temp limits 03031-1053 Type 4X, IP 68

Specific Conditions of Use:

1. The Model 2051 transmitter housing may contain aluminum and is considered a potential risk of ignition by impact or friction. Care must be taken during installation and use to prevent impact and friction.
2. Equipment evaluated for atmospheric pressure range between 80 kPa (0.8 bar) to 110 kPa (1.1 bar).

I6 Canada Intrinsic Safety (IS)

Certificate	2041384
Standards	C22.2 No. 61010-1-12, C22.2 No. 25-17, C22.2 No. 94.2-20 Third Edition, CSA Std C22.2 No. 213-17 + UPD 1 (2018) + UPD 2 (2019) + UPD 3 (2021), CAN/CSA-60079-0:19, CAN/CSA-60079-11:14, ANSI/UL 122701: 2022 (Fourth Edition), ANSI/UL 50E (First Edition)
Markings	IS: CL I GP A, B, C, D T4; CL II GP E, F, G, CL III T4; Ex ia IIC T4 Ga; NI: CL I DIV 2 GP A, B, C, D -50 °C ≤ Ta ≤ +70 °C Install per 02051-1008 Single seal - temp limits per 03031-1053 Type 4X, IP 68

Specific Conditions of Use:

1. The Model 2051 transmitter housing may contain aluminum and is considered a potential risk of ignition by impact or friction. Care must be taken during installation and use to prevent impact and friction.
2. The Model 2051 with the transient terminal block (Option code T1) will not pass the 500 VRMS dielectric strength test; this must be considered during installation.
3. Equipment evaluated for atmospheric pressure range between 80 kPa (0.8 bar) to 110 kPa (1.1 bar).

IF Canada FISCO

Certificate	2041384
Standards	C22.2 No. 61010-1-12, C22.2 No. 25-17, C22.2 No. 94.2-20 Third Edition, CSA Std C22.2 No. 213-17 +

UPD 1 (2018) + UPD 2 (2019) + UPD 3 (2021), CAN/CSA-60079-0:19, CAN/CSA-60079-11:14, ANSI/UL 12.27.01:2022 (Fourth Edition), ANSI/UL 50E (First Edition)

Markings: IS: CL I GP ABCD T4;
 Ex ia IIC T4 Ga
 -50 °C ≤ Ta ≤ +60 °C
 FISCO
 Install per 02051-1008
 Single seal - temp limits per 03031-1053
 Type 4X, IP 68

Specific Conditions of Use:

1. The Model 2051 transmitter housing may contain aluminum and is considered a potential risk of ignition by impact or friction. Care must be taken during installation and use to prevent impact and friction.
2. Equipment evaluated for atmospheric pressure range between 80 kPa (0.8 bar) to 110 kPa (1.1 bar).

8.5 Europe

E1 ATEX/UKEX Flameproof

ATEX Certificate KEMA 08ATEX0090X

UKEX Certificate DEKRA 21UKEX0288X

Standards EN IEC 60079-0: 2018, EN 60079-1: 2014, EN 60079-26: 2015

Markings: Ⓜ II 1/2 G Ex db IIC Ga/Gb T6 (-60 °C ≤ Ta ≤ +70 °C), T4/T5 (-60 °C ≤ Ta ≤ +80 °C)

Table 8-1: Process connection temperature

Temperature class	Process connection temperature	Ambient temperature
T6	-60 °C to +70 °C	-60 °C to +70 °C
T5	-60 °C to +80 °C	-60 °C to +80 °C
T4	-60 °C to +120 °C	-60 °C to +80 °C

Special Conditions for Safe Use (X):

1. Appropriate cable, glands, and plugs need to be suitable for a temperature of 5 °C greater than maximum specified temperature for location where installed.
2. Non-standard paint options may cause risk from electrostatic discharge. Avoid installations that could cause electrostatic build-up on painted surfaces and only clean the painted surfaces with a damp cloth. If paint is ordered through a special option code, contact the manufacturer for more information.
3. This device contains a thin wall diaphragm less than 1 mm thick that forms a boundary between Category 1G (process connection) and Category 2G (all other parts of the equipment). The model code and datasheet are to be consulted for details of the diaphragm material. During installation, maintenance, and use, the environmental conditions to which the diaphragm will be subjected shall be taken into account. The manufacturer's instructions for installation and maintenance shall be followed in detail to assure safety during its expected lifetime.
4. Flameproof joints are not intended for repair.

Conduit/cable entries

Unless otherwise marked, the conduit/cable entries in the housing enclosure use a ½-14 NPT form. Only use plugs, adapters, glands, or conduit with a compatible thread form when closing these entries. Entries marked M20 are M20 x 1.5 thread form. On devices with multiple conduit entries, all entries will have the same thread form. When installing in a hazardous location, use only appropriately listed or Ex certified plugs, glands, or adapters in cable/conduit entries.

I1 ATEX Intrinsic Safety


Certificate	Baseefa08ATEX0129X
Standards	EN IEC 60079-0: 2018, EN60079-11: 2012
Markings	 II 1 G Ex ia IIC T4 Ga (-60 °C ≤ Ta ≤ +70 °C)

Table 8-2: Input parameters

	HART®	Fieldbus/PROFIBUS®
Voltage U_i	30 V	30 V
Current I_i	200 mA	300 mA
Power P_i	1 W	1.3 W
Capacitance C_i	0.012 μ F	0 μ F
Inductance L_i	0 mH	0 mH

Special Conditions for Safe Use (X):

1. If the equipment is fitted with an optional 90 V transient suppressor, it is incapable of withstanding the 500 V isolation from earth test, and this must be taken into account during installation.
2. The enclosure may be made of aluminum alloy and given a protective polyurethane paint finish; however, care should be taken to protect it from impact or abrasion if located in Zone 0.

IA ATEX FISCO

Certificate	Baseefa08ATEX0129X
Standards	EN IEC 60079-0: 2018, EN60079-11: 2012
Markings	⊕ II 1 G Ex ia IIC T4 Ga (-60 °C ≤ Ta ≤ +60 °C)

Table 8-3: Input parameters

	FISCO
Voltage U_i	17.5 V
Current I_i	380 mA
Power P_i	5.32 W
Capacitance C_i	0 μ F
Inductance L_i	0 mH

Special Conditions for Safe Use (X):

1. If the equipment is fitted with an optional 90 V transient suppressor, it is incapable of withstanding the 500 V isolation from earth test, and this must be taken into account during installation.

- The enclosure may be made of aluminum alloy and given a protective polyurethane paint finish; however, care should be taken to protect it from impact or abrasion if located in Zone 0.

N1 ATEX Type n

Certificate	Baseefa08ATEX0130X
Standards	EN IEC 60079-0: 2018, EN60079-15: 2010
Markings	⊕ II 3 G Ex nA IIC T4 Gc (-40 °C ≤ Ta ≤ +70 °C)

Special Conditions for Safe Use (X):

- If the equipment is fitted with an optional 90 V transient suppressor, it is incapable of withstanding the 500 V electrical strength test as defined in clause 6.5.1 of by EN 60079-15: 2010. This must be taken into account during installation.

ND ATEX Dust

Certificate	Baseefa08ATEX0182X
Standards	EN IEC 60079-0: 2018, EN60079-31: 2014
Markings	⊕ II 1 D Ex ta IIIC T ₅₀₀ 105 °C Da (-20 °C ≤ Ta ≤ +85 °C)

Special Conditions for Safe Use (X):

- If the equipment is fitted with an optional 90 V transient suppressor, it is incapable of withstanding the 500 V isolation from earth test, and this must be taken into account during installation.
- Variants with a paint finish must not be installed in a dust-laden airflow.
- Non-standard paint options may cause risk from electrostatic discharge. Avoid installations that could cause electrostatic build-up on painted surfaces and only clean the painted surfaces with a damp cloth. If paint is ordered through a special option code, contact the manufacturer for more information.

8.6 International

E7 IECEx Flameproof

Certificate	IECExKEM08.0024X
--------------------	------------------

Standards	IEC 60079-0: 2017, IEC 60079-1: 2014-06, IEC 60079-26: 2014-10
Markings	Ex db IIC T6...T4 Ga/Gb T6 ($-60\text{ °C} \leq T_a \leq +70\text{ °C}$), T4/T5 ($-60\text{ °C} \leq T_a \leq +80\text{ °C}$)

Table 8-4: Process connection temperature

Temperature class	Process connection temperature	Ambient temperature
T6	-60 °C to +70 °C	-60 °C to +70 °C
T5	-60 °C to +80 °C	-60 °C to +80 °C
T4	-60 °C to +120 °C	-60 °C to +80 °C

Special Conditions for Safe Use (X):

1. This device contains a thin wall diaphragm less than 1 mm thick that forms a boundary between EPL Ga (process connection) and EPL Gb (all other parts of the equipment). The model code and datasheet are to be consulted for details of the diaphragm material. During installation, maintenance, and use, the environmental conditions to which the diaphragm will be subjected shall be taken into account. The manufacturer's instructions for installation and maintenance shall be followed in detail to assure safety during its expected lifetime.
2. Appropriate cable, glands, and plugs need to be suitable for a temperature of 5 °C greater than maximum specified temperature for location where installed.
3. Flameproof joints are not intended for repair.
4. Non-standard paint options may cause risk from electrostatic discharge. Avoid installations that could cause electrostatic build-up on painted surfaces and only clean the painted surfaces with a damp cloth. If paint is ordered through a special option code, contact the manufacturer for more information.

Conduit/cable entries

Unless otherwise marked, the conduit/cable entries in the housing enclosure use a ½-14 NPT form. Only use plugs, adapters, glands, or conduit with a compatible thread form when closing these entries. Entries marked M20 are M20 x 1.5 thread form. On devices with multiple conduit entries, all entries will have the same thread form. When installing in a hazardous location, use only appropriately listed or Ex certified plugs, glands, or adapters in cable/conduit entries.

I7 IECEx Intrinsic Safety

Certificate	IECEX BAS 08.0045X
Standards	IEC 60079-0: 2017, IEC 60079-11: 2011
Marking:	Ex ia IIC T4 Ga (-60 °C ≤ Ta ≤ +70 °C)

Table 8-5: Input parameters

	HART®	Fieldbus/PROFIBUS®
Voltage U _i	30 V	30 V
Current I _i	200 mA	300 mA
Power P _i	1 W	1.3 W
Capacitance C _i	12 nF	0 μF
Inductance L _i	0 mH	0 mH

Special Conditions for Safe Use (X):

1. If the equipment is fitted with an optional 90 V transient suppressor, it is incapable of withstanding the 500 V isolation from earth test, and this must be taken into account during installation.
2. The enclosure may be made of aluminum alloy and given a protective polyurethane paint finish; however, care should be taken to protect it from impact or abrasion if located in Zone 0.
3. The equipment contains thin wall diaphragms. The installation, maintenance, and use shall take into account the environmental conditions to which the diaphragms will be subjected. The manufacturer's instructions for installation and maintenance shall be followed in detail to assure safety during its expected lifetime.

IG IECEx FISCO

Certificate	IECEX BAS 08.0045X
Standards	IEC 60079-0: 2017, IEC60079-11: 2011
Markings	Ex ia IIC T4 Ga (-60 °C ≤ Ta ≤ +60 °C)

Table 8-6: Input parameters

	FISCO
Voltage U_i	17.5 V
Current I_i	380 mA
Power P_i	5.32 W
Capacitance C_i	0 nF
Inductance L_i	0 μ H

Special Conditions for Safe Use (X):

1. If the equipment is fitted with an optional 90 V transient suppressor, it is incapable of withstanding the 500 V isolation from earth test, and this must be taken into account during installation.
2. The enclosure may be made of aluminum alloy and given a protective polyurethane paint finish; however, care should be taken to protect it from impact or abrasion if located in Zone 0.
3. The equipment contains thin wall diaphragms. The installation, maintenance, and use shall take into account the environmental conditions to which the diaphragms will be subjected. The manufacturer’s instructions for installation and maintenance shall be followed in detail to assure safety during its expected lifetime.

N7 IECEx Type n

Certificate	IECEx BAS 08.0046X
Standards	IEC 60079-0: 2017, IEC60079-15: 2010
Markings	Ex nA IIC T4 Gc (-40 °C ≤ Ta ≤ +70 °C)

Special Conditions for Safe Use (X):

1. If fitted with a 90 V transient suppressor, the equipment is not capable of withstanding the 500 V electrical strength test as defined in clause 6.5.1 of IEC60079-15: 2010. This must be taken into account during installation.

8.7 Brazil

E2 Brazil Flameproof

Certificate	UL-BR 14.0375X (Sorocaba, Sao Pao Paulo, Brazil), UL-BR22.3806X (Shakopee, MN, USA)
--------------------	--

UL-BR22.3807X (Singapore)

Standards ABNT NBR IEC 60079-0, ABNT NBR IEC 60079-1, ABNT NBR IEC 60079-26

Markings: Ex db IIC T6...T4 Ga/Gb IP66, T6 (-60 °C ≤ Ta ≤ +70 °C), T4/T5 (-60 °C ≤ Ta ≤ +80 °C)

Special Conditions for Safe Use (X):

1. This device contains a thin wall diaphragm with less than 1 mm thickness that forms a boundary between zone 0 (process connection) and zone 1 (all other parts of the equipment). The model code and datasheet are to be consulted for details of the diaphragm material. Installation, maintenance, and use shall take into account the environmental conditions to which the diaphragm will be subjected. The manufacturer's instructions for installation and maintenance shall be followed in detail to assure safety during its expected lifetime.
2. Flameproof joints are not intended for repair.
3. Non-standard paint options may cause risk from electrostatic discharge. Avoid installations that could cause electrostatic build-up on painted surfaces and only clean the painted surfaces with a damp cloth. If paint is ordered through a special option code, contact the manufacturer for more information.

I2 Brazil Intrinsic Safety

Certificate UL-BR 14.0759X

Standards ABNT NBR IEC 60079-0: 2013; ABNT NBR IEC 60079-11: 2013

Markings Ex ia IIC T4 Ga (-60 °C ≤ Ta ≤ +70 °C)

Table 8-7: Input parameters

	HART®	Fieldbus/PROFIBUS®
Voltage U _i	30 V	30 V
Current I _i	200 mA	300 mA
Power P _i	1 W	1.3 W
Capacitance C _i	12 nF	0
Inductance L _i	0	0

Special Conditions for Safe Use (X):

1. If the equipment is fitted with an optional 90 V transient suppressor, it is incapable of withstanding the 500 V insulation from earth test, and this must be taken into account during installation.
2. The enclosure may be made of aluminum alloy and given a protective polyurethane finish; however, care should be taken to protect it from impact and abrasion when located in atmospheres that require EPL Ga.

IB Brazil FISCO

Certificate	UL-BR 14.0759X
Standards	ABNT NBR IEC 60079-0: 2008 + Errata 1: 2011; ABNT NBR IEC 60079-11: 2009
Markings	Ex ia IIC T4 Ga (-60 °C ≤ Ta ≤ +60 °C)

Table 8-8: Input parameters

	FISCO
Voltage U_i	17.5 V
Current I_i	380 mA
Power P_i	5.32 W
Capacitance C_i	0 nF
Inductance L_i	0 μH

Special Conditions for Safe Use (X):

1. If the equipment is fitted with an optional 90 V transient suppressor, it is incapable of withstanding the 500 V insulation from earth test, and this must be taken into account during installation.
2. The enclosure may be made of aluminum alloy and given a protective polyurethane finish; however, care should be taken to protect it from impact and abrasion when located in atmospheres that require EPL Ga.

8.8 China

China Flameproof

Certificate	GYJ23.1236X; GYJ20.1485X [Flow meters]
Standards	GB/T 3836.1-2021 ,GB/T 3836.2-2021, GB 3836.20-2010

Markings Pressure transmitter: Ex db IIC T6...T4 Ga/Gb
Flow meter: Ex d II C T6~T4 Ga/Gb

I3 China Intrinsic Safety

Certificate GYJ22.1834X; GYJ20.1487X [Flow meters]

Standards GB3/T 3836.1-2021, GB/T 3836.4-2021, GB3836.20-2010

Markings Ex ia IIC T4 Ga, FISCO :Ex iaIICT4 Ga, Ex db+ib/ibIICT4 Ga/Gb

8.9 Korea

EP Korea Flameproof

Certificate 12-KB4BO-0342X, 12-KB4BO-0344X, 19-KB4BO-0978X

Markings Ex d IIC T6...T4 Ga/Gb, T4/T5 (-60 °C ≤ Ta ≤ +80 °C), T6 (-60 °C ≤ Ta ≤ +70 °C)

Special Conditions for Safe Use (X):

See certificate for special conditions.

IP Korea Intrinsic Safety

Certificate 12-KB4BO-0343X, 12-KB4BO-0345X, 13-KB4BO-0205X, 13-KB4BO-0207X, 18-KA4BO-0309X

Markings Ex ia IIC T4 (-60 °C ≤ Ta ≤ +70 °C)

Special Conditions for Safe Use (X):

See certificate for special conditions.

8.10 Japan

E4 Japan Flameproof

Certificate CML20JPN112X

Markings Ex db IIC T6...T4 Ga/Gb, T6 (-60 °C ≤ Ta ≤ +70 °C), T5/T4 (-60 °C ≤ Ta ≤ +80 °C)

Special Conditions for Safe Use (X):

1. This device contains a thin wall diaphragm less than 1 mm thick that forms a boundary between EPL Ga (process connection) and EPL Gb (all other parts of the equipment). The model code and datasheet are to be consulted for details of

the diaphragm material. During installation, maintenance, and use, the environmental conditions to which the diaphragm will be subjected shall be taken into account. The manufacturer's instructions for installation and maintenance shall be followed in detail to assure safety during its expected lifetime.

2. Flameproof joints are not intended for repair.
3. Non-standard paint options may cause risk from electrostatic discharge. Avoid installations that could cause electrostatic build-up on painted surfaces and only clean the painted surfaces with a damp cloth. If paint is ordered through a special option code, contact the manufacturer for more information.

8.11 EAC

EM EAC Flameproof

Certificate	EAЭEC KZ 7500525.01.01.00647
Markings	Ga/Gb Ex db IIC T4...T6 X, T4/T5 (-60 °C ≤ Ta ≤ +80 °C), T6 (-60 °C ≤ Ta ≤ +70 °C)

Special Conditions for Safe Use (X):

See certificate for special conditions.

IM EAC Intrinsically Safe

Certificate	EAЭEC KZ 7500525.01.01.00647
Markings	0Ex ia IIC T4 Ga X (-60 °C ≤ Ta ≤ +70 °C)

Special Conditions for Safe Use (X):

See certificate for special conditions.

8.12 Combinations

K1	Combination of E1, I1, N1, and ND
K2	Combination of E2 and I2
K5	Combination of E5 and I5
K6	Combination of E6 and I6
K7	Combination of E7, I7, N7, and IECEx Dust

IECEx Dust

Certificate	IECEx BAS 08.0058X
--------------------	--------------------




Standards	IEC60079-0: 2011, IEC60079-31: 2008
Markings	Ex ta IIIC T95 °C T500 105 °C Da (-20 °C ≤ Ta ≤ +85 °C)

Special Conditions for Safe Use (X):

1. If the equipment is fitted with an optional 90 V transient suppressor, it is incapable of withstanding a 500 V isolation from earth test, and this must be taken into account during installation.

KA	Combination of E1, I1, and K6
KB	Combination of K5 and K6
KC	Combination of E1, I1, and K5
KD	Combination of K1, K5, and K6
KP	Combination of EP and IP
KM	Combination of EM and IM

8.14 Declaration of Conformity

	<h3>EU Declaration of Conformity</h3> <p>No: RMD 1071 Rev. U</p>	
<p>We,</p> <p style="margin-left: 40px;">Rosemount, Inc. 6021 Innovation Blvd. Shakopee, MN 55379 USA</p> <p>declare under our sole responsibility that the product,</p> <p style="text-align: center;">Rosemount™ Model 2051 Pressure Transmitter</p> <p>manufactured by,</p> <p style="margin-left: 40px;">Rosemount, Inc. 6021 Innovation Blvd. Shakopee, MN 55379 USA</p> <p>to which this declaration relates, is in conformity with the provisions of the European Union Directives, including the latest amendments, as shown in the attached schedule.</p> <p>Assumption of conformity is based on the application of the harmonized standards and, when applicable or required, a European Union notified body certification, as shown in the attached schedule.</p>		
 <hr/> <p>(signature)</p>	<p>Vice President of Global Quality</p> <hr/> <p>(function)</p>	
<p>Mark Lee</p> <hr/> <p>(name)</p>	<p>June 14, 2023</p> <hr/> <p>(date of issue & place)</p>	
<p>Page 1 of 3</p>		



EU Declaration of Conformity

No: RMD 1071 Rev. U



EMC Directive (2014/30/EU)

Harmonized Standards:

EN 61326-1:2013, EN 61326-2-3:2013

PED Directive (2014/68/EU)

Rosemount 2051CD2, 3, 4, 5 (also with P9 option)

QS Certificate of Assessment - Certificate No. 12698-2018-CE-ACCREDIA

Module H Conformity Assessment

Other Standards Used:

ANSI / ISA 61010-1:2004

All other Rosemount 2051 Pressure Transmitters

Sound Engineering Practice

Transmitter Attachments: Diaphragm Seal, Process Flange, or Manifold

Sound Engineering Practice

Rosemount 2051CFx DP Flowmeter

See DSI 1000 Declaration of Conformity

ATEX Directive (2014/34/EU)

Baseefa08ATEX0129X - Intrinsic Safety Certificate

Equipment Group II Category 1 G

Ex ia IIC T4 Ga

Equipment Group II Category 1/2 G

Ex db+ib/ib IIC T4 Ga/Gb

Harmonized Standards Used:

EN IEC 60079-0:2018, EN 60079-1:2014, EN 60079-11:2012,
EN 60079-26:2015

Baseefa08ATEX0130X - Type n Certificate

Equipment Group II Category 3 G

Ex nA IIC T4 Gc

Harmonized Standards Used:

EN IEC 60079-0:2018, EN 60079-15:2010

KEMA08ATEX0090X - Flameproof Certificate

Equipment Group II Category 1/2 G

Ex db IIC T6...T4 Ga/Gb

Harmonized Standards Used:

EN IEC 60079-0:2018, EN 60079-1:2014; EN 60079-26:2015



EU Declaration of Conformity

No: RMD 1071 Rev. U



Baseefa08ATEX0182X - Dust Certificate

Equipment Group II Category I D

Ex ta IIIC T₅₀₀105°C Da

Harmonized Standards Used:

EN IEC 60079-0:2018, EN 60079-31:2014

RoHS Directive (2011/65/EU)

Model 2051 with 4-20 mA HART protocol only (output code A)

Harmonized Standards:

EN 50581:2012

PED Notified Body

DNV GL Business Assurance Italia S.r.l. [Notified Body Number: 0496]

Via Energy Park, 14, N-20871

Vimercate (MB), Italy

ATEX Notified Bodies

DEKRA [Notified Body Number: 0344]

Utrechtseweg 310, 6812 AR Arnhem

P.O. Box 5185, 6802 ED Arnhem

The Netherlands

Postbank 6794687

SGS FIMKO OY [Notified Body Number: 0598]

Takomotie 8

FI-00380 Helsinki,

Finland

ATEX Notified Body for Quality Assurance

SGS FIMKO OY [Notified Body Number: 0598]

Takomotie 8

FI-00380 Helsinki,

Finland

8.15 China RoHS

有害物质成分表
03031-9021, Rev AB

罗斯蒙特产品型号 2051
3/29/2021

含有China RoHS管控物质超过最大浓度限值的部件型号列表 2051
List of 2051 Parts with China RoHS Concentration above MCVs

部件名称 Part Name	有害物质 / Hazardous Substances					
	铅 Lead (Pb)	汞 Mercury (Hg)	镉 Cadmium (Cd)	六价铬 Hexavalent Chromium (Cr +6)	多溴联苯 Polybrominated biphenyls (PBB)	多溴联苯醚 Polybrominated diphenyl ethers (PBDE)
电子组件 Electronics Assembly	X	○	○	○	○	○
壳体组件 Housing Assembly	○	○	○	○	○	○
传感器组件 Sensor Assembly	X	○	○	○	○	○

本表格系依据SJ/T11364的规定而制作。

This table is proposed in accordance with the provision of SJ/T11364.

O: 意为该部件的所有均质材料中该有害物质的含量均低于GB/T 26572所规定的限量要求。

O: Indicate that said hazardous substance in all of the homogeneous materials for this part is below the limit requirement of GB/T 26572.

X: 意为在该部件所使用的的所有均质材料里，至少有一类均质材料中该有害物质的含量高于GB/T 26572所规定的限量要求。

X: Indicate that said hazardous substance contained in at least one of the homogeneous materials used for this part is above the limit requirement of GB/T 26572.

部件名称 Part Name	组装备件说明 Spare Parts Descriptions for Assemblies
电子组件 Electronics Assembly	电子线路板组件 Electronic Board Assemblies 端子块组件 Terminal Block Assemblies 升级套件 Upgrade Kits 液晶显示屏或本地操作界面 LCD or LOI Display
壳体组件 Housing Assembly	电子外壳 Electrical Housing
传感器组件 Sensor Assembly	传感器模块 Sensor Module



Quick Start Guide
00825-0100-4102, Rev. EC
October 2023

For more information: [Emerson.com/global](https://www.emerson.com/global)

©2023 Emerson. All rights reserved.

Emerson Terms and Conditions of Sale are available upon request. The Emerson logo is a trademark and service mark of Emerson Electric Co. Rosemount is a mark of one of the Emerson family of companies. All other marks are the property of their respective owners.

ROSEMOUNT™

